



Features

- NVIDIA® TEGRA™ 2 1.0 GHz Dual Core Processor
- LP DDR2 1GB
- 10.1" WXGA (1280 x 800) TFT LCD Display
- Projected Capacitive Multi-Touch Panel
- Li-Polymer High-Capacity Battery, 12 Hours Battery Life
- Rugged, Water and Dust Proof, IP65 Compliance
- Micro SD Card Slot, 5M Pixel Rear Camera, 1.2M Pixel Front Camera
- WiFi 802.11 b/g/n , Bluetooth® 2.1 + EDR
- G-Sensor, Light Sensor, E-compass, GPS Navigation
- Android™ v4.0



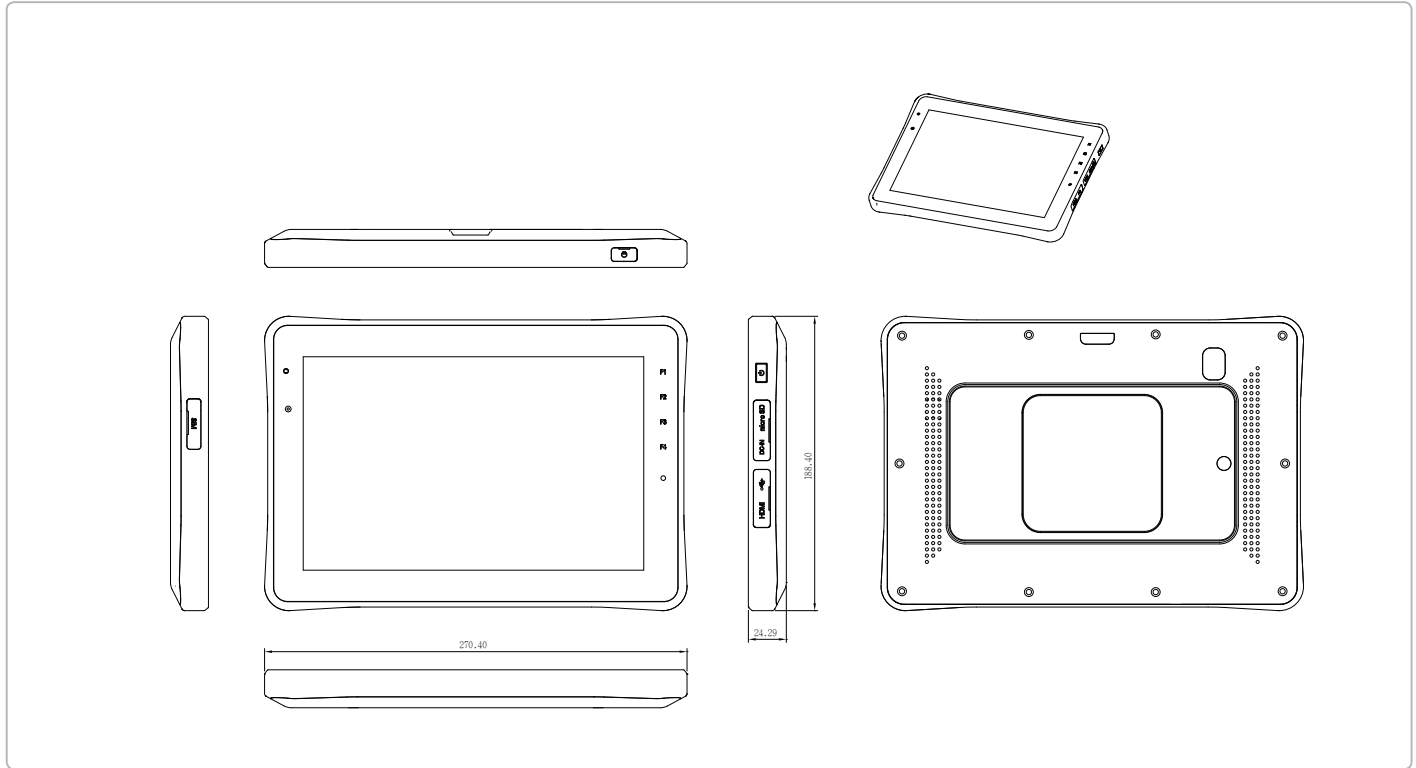
Specifications

System	
Processor	NVIDIA® TEGRA™ 2 1.0GHz Dual Core Processor
System Memory	LP DDR2 1GB
LCD Display	10.1" WXGA (1280 x 800) 16:10 TFT LCD with Projected Capacitive Multi-Touch screen
Communication	WLAN 802.11 b/g/n Bluetooth® 2.1+ EDR (Bluetooth® Keyboard/Mouse support) 3G modem module (optional)
I/O Port	DC-in Jack x 1 Mini USB Port x 1 Mini HDMI Port x 1 Micro SD Card Slot x 1 3.5-mm stereo headphone jack x 1 Built-in Speaker & Microphone SIM Card Slot x 1
Storage	16GB eMMC Flash
Navigation	GPS E-compass
Camera	Front: 1.2M Pixel camera Rear: 5M Pixel AF camera
Other	Built-in Light Sensor Built-in G-Sensor, Built-in 3-axis digital gyroscope, Built-in Vibrator motor
OS	Android™ v4.0
Mechanical	
Color	Black
Dimension	10.65" x 7.42" x 0.96" (270.4mm x 188.4mm x 24.29mm)
Gross Weight	2.4 lb (1.1 Kg)
Carton Dimension	—
Environmental	
Operating Temperature	-4°F ~ 140°F (-20°C ~ 60°C)
Storage Temperature	-67°F ~ 167°F (-55°C ~ 75°C)
Operating Humidity	10 to 95% @ 40°C, non-condensing
Water & Dust Proof	IP65 compliance
Vibration	Meets MIL-STD 810G-514.6, Procedure I Cat. 24, Fig. 514.6E-1 & 514.6E-2 (Unit is non-operating) ASTM 4169-99 Truck Assurance Level II, Schedule E (Unit is operating)
Drop	26 drops of 48 inches height to 2" plywood over concrete with unit off MIL-STD 810G-516.6, Procedure IV
ESD	Air +/- 8KV, Contact +/- 4KV
EMC/ Safety	CE / FCC Class B / UL

RTC-900R

Dimension

Unit: mm



Power Supply	
AC/ DC Adapter	AC Power input: 100V-240V, 50Hz-60Hz, 50W DC Power output: 12V/4.17A
Battery	Li-Polymer high capacity battery (7600mAh), 12 Hrs Battery Life
LCD	
Display Type	10.1" 16:10 TFT LCD
Max. Resolution	1280 x 800
Max. Color	16.7M
Dot Size	0.1695(V) x 0.1695(H) mm
Luminance	350 cd/m ²
View Angle	Horizontal 170° (Typical) Vertical 170° (Typical)
Touch Screen	
Type	Projected Capacitive Multi-Touch Panel
Light Transmission	≥87%

Packing List

- Product CD
- RTC-900R

Optional Accessories

- TBD

Ordering Information

Part Number	CPU	LCD Display	Touch Screen	System Memory	Storage	OS	WiFi	Bluetooth	3G Bands (MHz)	GPS	Sensor	Camera	Display	USB	Expansion	SIM Card	Mounting	Power	Temp.	Sunlight Readable
TBD	TEGRA 2 1.0GHz	10.1" TFT LCD	Pcap 10-point	LPDDR2 1GB	16GB eMMC Flash	Android 4.0	802.11 b/g/n	2.1 + EDR	—	GPS/AGPS	Light Sensor x 1 G Sensor x 1 3-axis digital groscope x 1 Vibrator x 1	Front: 1.2MP Rear: 5MP	Mini HDMI x 1	Mini USB x 1	micro SD x 1	1	—	12V	-20°C ~ 60°C	—